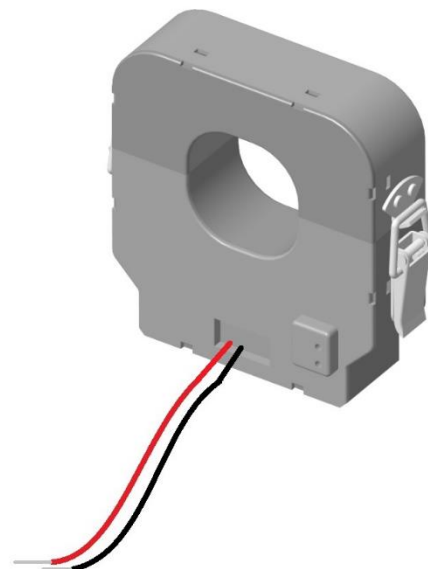


Provisional

I_{pn} 500...1500Arms



Features

- Compact size
- Secure locking

Advantages

- Very good linearity
- No insertion losses

Applications

- Sub-Metering
- Data Loggers to analyse Building & Machinery Performance
- Load monitoring

Application domain

- Commercial
- Industrial

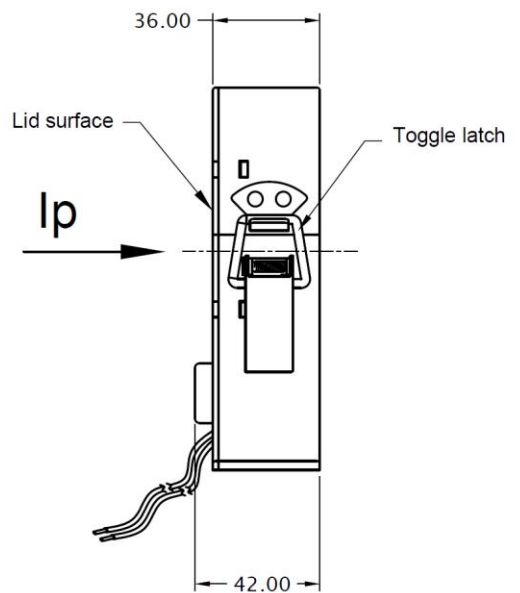
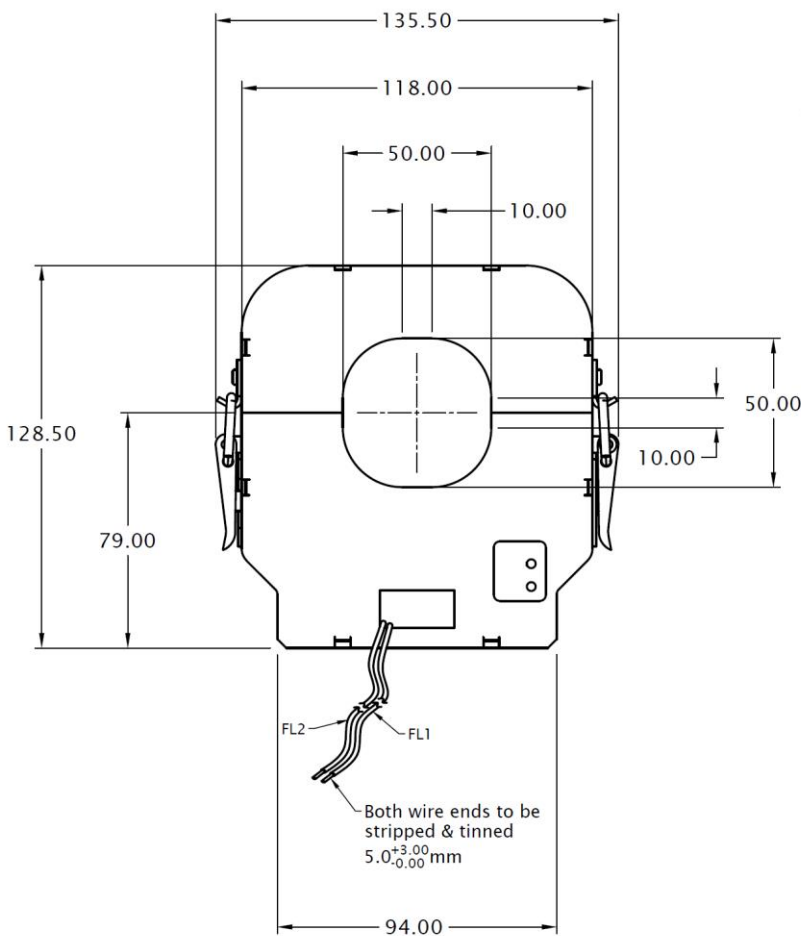
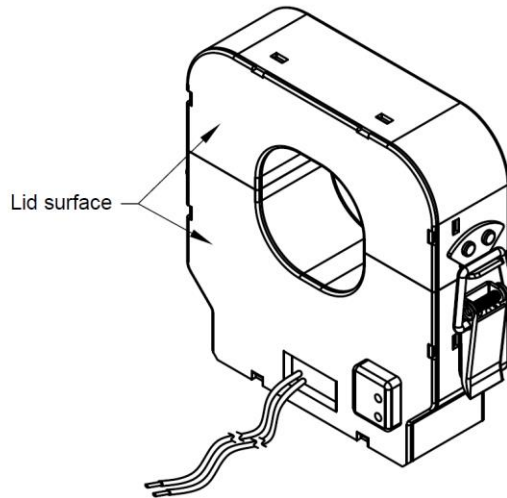
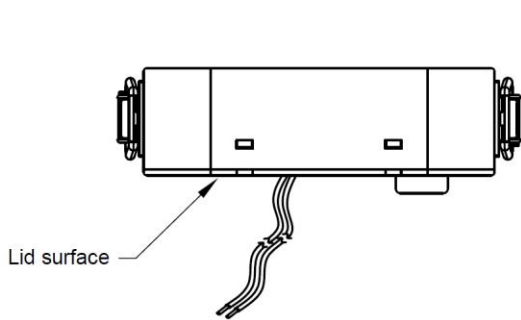
Specifications @ 25°C

Product Code	Primary Nominal Current	Output Voltage at nominal current (Vrms)
ST1383-V333500	500	0.333
ST1383-V333800	800	
ST1383-V3331K0	1000	
ST1383-V3331K2	1200	
ST1383-V3331K5	1500	

Parameters	Symbol	Value	Units
Operating frequency	Hz	50/60	Hz
Overload current for 60 seconds	I	110	%
Amplitude error	AE	<1.0	%
Operating temperature range	To	-10 to +70	°C
Storage temperature range	Ts	-10 to +70	°C
Dielectric strength between conductor inserted in the primary opening and secondary terminals @ 50Hz, 60 seconds	---	2.5	kVrms
Mass for highest current rating	m	750	g

Mechanical dimensions

GENERAL TOL. ± 1.0 mm	
ALL DIMENSIONS ARE IN 'mm'	SCALE -NTS



Termination Details

S (Start FL1)	PVC wire, 22AWG, Red 500 +/-50.0mm Length.
F (Finish FL2)	PVC wire, 22AWG, White 500 +/-50.0mm Length.

Notes:

- The start & finish of the CT will be as shown in the figure, when primary current flows in the direction of arrow
- Also available with UL approved materials on request.

Safety



- When operating the current transformer, primary busbar can carry hazardous voltage.
- Risk of electrical shock when current transformer is operated with secondary in open condition with primary winding energised.

General information:

Electrohms reserves the right to make modifications on products for improvements without prior notice.