

I_{pn} 50...120Arms



Features

- Compact size
- Secure locking hinge

Advantages

- Very good linearity
- No insertion losses

Applications

- Sub-metering
- Data loggers to analyse building & machinery performance
- Load monitoring

Application domain

- Commercial
- Industrial

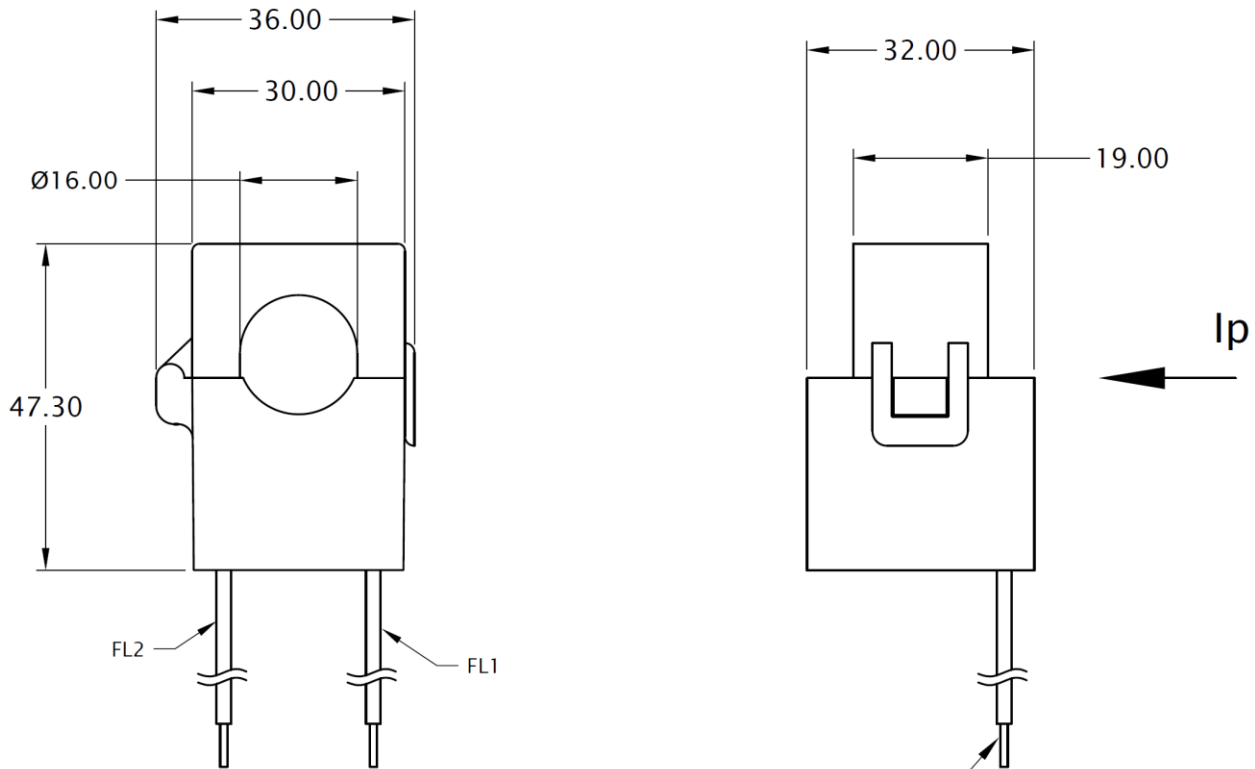
Specifications @ 25°C

Product Code	Primary Nominal Current (Arms)	Output Voltage at nominal current (Vrms)
ST1339-V333050	50	0.333
ST1339-V333070	70	
ST1339-V333100	100	
ST1339-V333120	120	

Parameters	Symbol	Value	Units
Operating frequency	Hz	50/60	Hz
Amplitude error at rated current	AE	<1.0	%
Operating temperature range	To	-10 to +70	°C
Storage temperature range	Ts	-10 to +70	°C
Dielectric strength between conductor inserted in the primary opening and secondary terminals @ 50Hz, 60 seconds	---	2.5	kVrms
Mass	m	100	g

Mechanical dimensions

GENERAL TOL. ± 1.0 mm	
ALL DIMENSIONS ARE IN 'mm'	SCALE -NTS



Both wire ends to be stripped & tinned $5.0^{+3.0}_{-0.0}$ mm

Termination Details	
Start (FL1)	PVC wire 7X0.25 mm, 22AWG, White, 1000 +/-50.0mm Length.
Finish (FL2)	PVC wire 7X0.25mm, 22AWG, Black, 1000 +/-50.0mm Length.

Notes:

- The start & finish of the CT will be as shown in the figure, when primary current flows in the direction of Arrow.

Safety



- When operating the Current Transformer, primary busbar can carry hazardous voltage.
- Risk of electrical shock when current transformer is operated with secondary in open condition with primary winding energised.

General information:

Electrohms the reserves right to make modifications on products for improvements without prior notice.